

# Wire Storage Baskets

Please follow the fixing and care instructions to ensure that your wire storage product is fitted safely and that it retains its high quality finish. Please retain this leaflet for future reference.

This installation guide applies to the following products:

- QM2605## Two Tier Cosmetic Basket Rust Free**
- QM2638## Two Tier Corner Basket Rust Free**
- QM2619## Soap Basket Rust Free**
- QM2609## Corner Soap Basket Rust Free**
- QM2606## Cosmetic Basket Rust Free**
- QM2659## Corner Basket Rust Free**
- QM2608## Small Two Tier Corner Basket Rust Free**
- QM2602## Medium Two Tier Corner Basket Rust Free**
- QM2628## Three Tier Corner Basket Rust Free**
- QM2643## Hook Over Three Tier Basket Rust Free**



**ALWAYS CHECK THE PACKAGING FOR FIXINGS AND PARTS BEFORE THROWING AWAY AND RECYCLING.**

**ENSURE YOU HAVE ALL THE FIXINGS AND PARTS BEFORE ATTEMPTING TO ASSEMBLE OR FIT THIS PRODUCT.**

## Home Safety Advice

- Do not strike the product with hard or sharp objects.
- Always take care when using an electric drill, particularly in the bathroom. Always check for hidden cables and pipe work before drilling and take extreme care if there is any water in the working area.
- It is advisable to use a residual current circuit breaker (RCCB).
- Always wear suitable eye protection when drilling.
- If the product is to be fitted on a ceramic tiled wall, a ceramic drill bit should be used. Always ensure that the drill hole passes through the central tiled area rather than through the grouted area. To prevent unnecessary damage to the tile, mask the area around the hole with tape before drilling.

## Product Care

- To retain the best quality finish, clean product with a soft cloth and a mild soap solution.
- Do not use abrasive or chemical cleaners as they may damage the protective coating on the surface of the storage baskets.

## Fixing Pack Contents

- 2 (4) x Wall Fixing Screws
- 2 (4) x Wall Plugs
- 2 (4) x Rubber O-Rings

Please note, QM264341 Hook Over Three Tier Basket Rust Free does not contain fixing screws, wall plugs and rubber o-rings. This item is for use hooked over shower screens and enclosures.

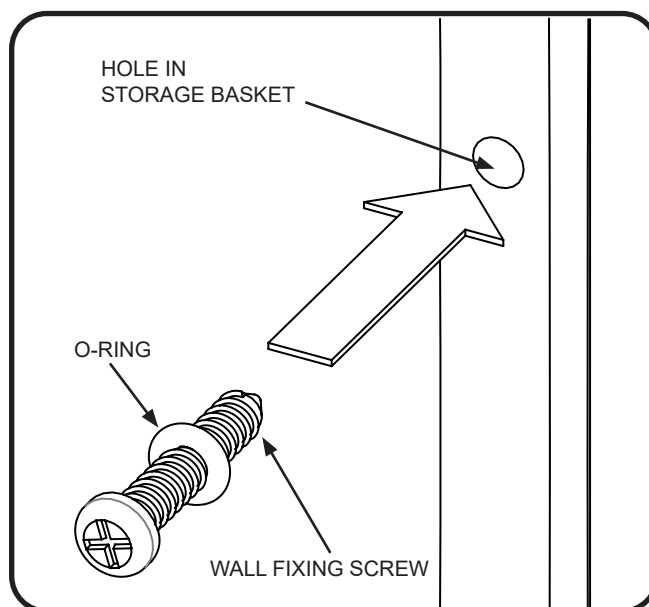
## Tools Required

Drill; 6mm masonry drill bit (6mm ceramic drill bit optional); Cross head screwdriver; Pencil; Spirit level. **KEEP DIY TOOLS OUT OF THE REACH OF CHILDREN**

## Fitting Instructions

1. Select position of the product on the wall and mark through the fixing holes, ensuring that where applicable the product is level.
2. Remove the product. Using a 6mm masonry drill, drill the holes in the marked positions to a depth of 30mm. If drilling through tiles, please pre-drill using a ceramic drill bit.
3. Insert the wall plugs to the surface of the wall. If fitting to a tiled surface, the wall plugs should be inserted below the surface of the tile to avoid cracking.
4. Place an o-ring over each wall fixing screw, this is to prevent the screw head from damaging the rust resistant finish when the product is fitted to the wall. Fig 1.
5. Insert the screw(s) through the holes on the product and screw into the wall plug(s). Do not over tighten as cracking of the tiles could occur.

FIG 1



### 5-year Anti-corrosion Guarantee

This product is guaranteed against corrosion for 5 years. Please retain a copy of your receipt which must be presented should a guarantee claim be necessary.

This guarantee covers corrosion under normal usage, when the product is installed, used and cleaned in accordance with these instructions. This guarantee does not cover corrosion resulting from damage to the protective coating due to the use of abrasive sponges or pads, abrasive cleaners, strong chemical cleaners or metal polish. In the unlikely event that corrosion should occur during the guarantee period we will replace the product.

For details of the other items in the Croydex range please visit our website: [www.croydex.com](http://www.croydex.com)

UK: Croydex, Central Way, Andover, Hampshire, SP10 5AW, UK

EU: MIL, Unit 8 Purcellsinch Ind Est, Dublin Road, Kilkenny, R95 HP71, Ireland

Tel: +44 (0)1264 365881

Email: [info@croydex.co.uk](mailto:info@croydex.co.uk)